

PART NAME

NEMA 4X ENCLOSURE

PART No.

PN-1320, PN-1320-C AND PN-1320-DG

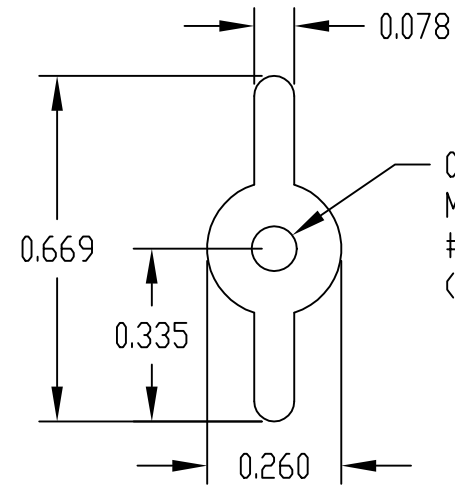
REV. DATE

11-17-08

INDUSTRY STANDARDS:

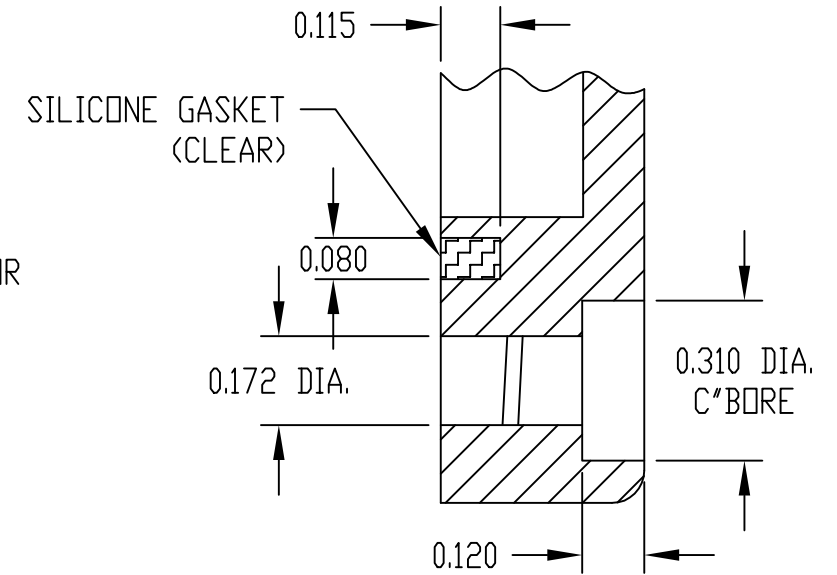
POLYCARBONATE (LIGHT GRAY AND CLEAR)  
 UL94-HB FLAMMABILITY RATING (UL FILE #E41613)  
 UV STABILIZED  
 SERVICE TEMPERATURE RANGE: -40°C TO +120°C

ABS (DARK GRAY)  
 UL94-HB FLAMMABILITY RATING (UL FILE #E56070)  
 SERVICE TEMPERATURE RANGE: -40°C TO +80°C

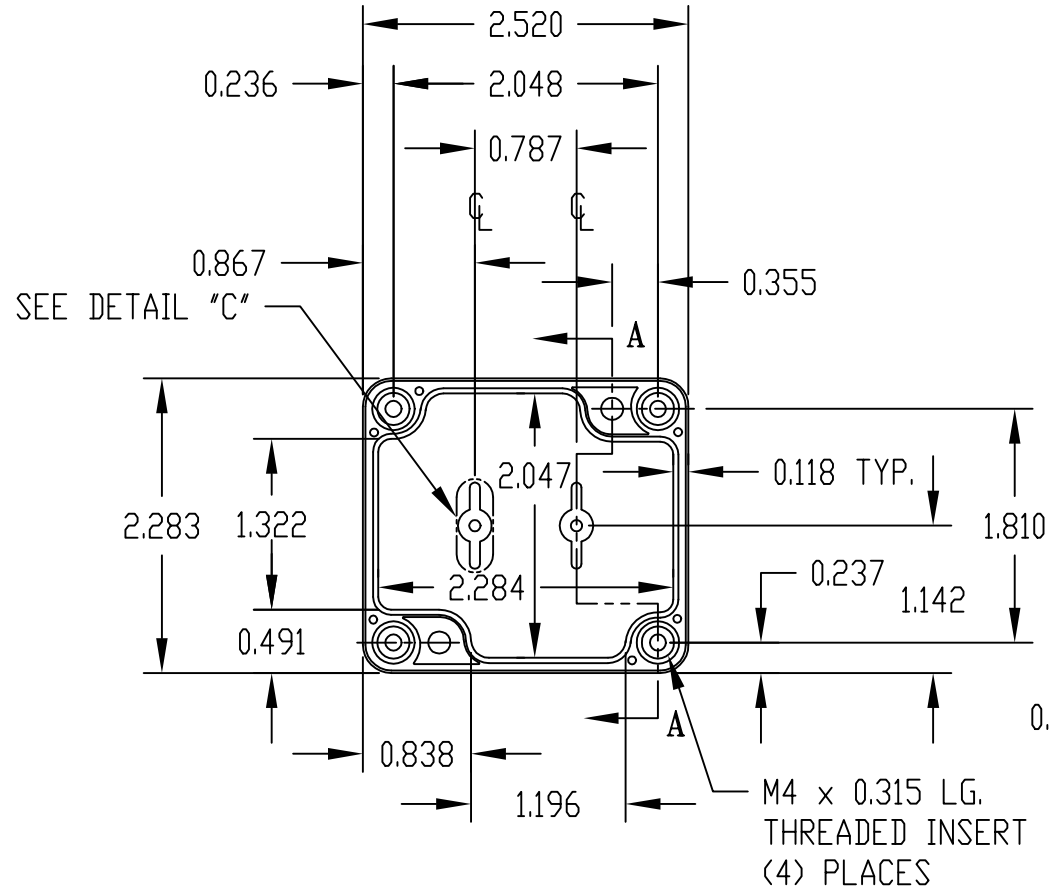


0.090 DIA. HOLE x 0.190 DEEP  
 MOUNTING BOSSES USE EITHER M2.5 METRIC OR  
 #4 STD. SHEET METAL SCREWS x 0.188 LG.  
 (NOT SUPPLIED)

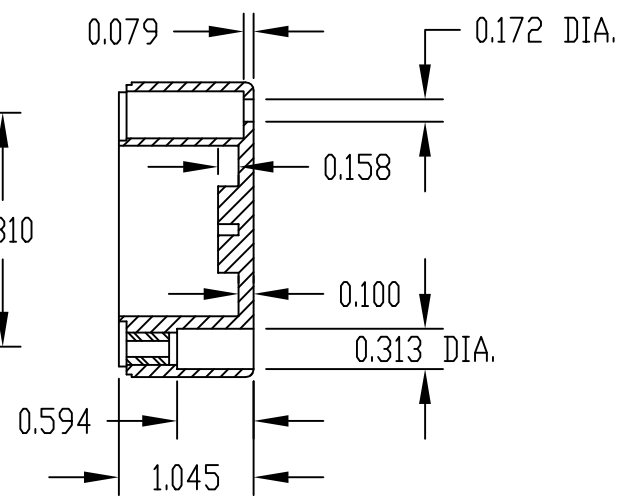
**DETAIL "C"**  
(2 PLACES)



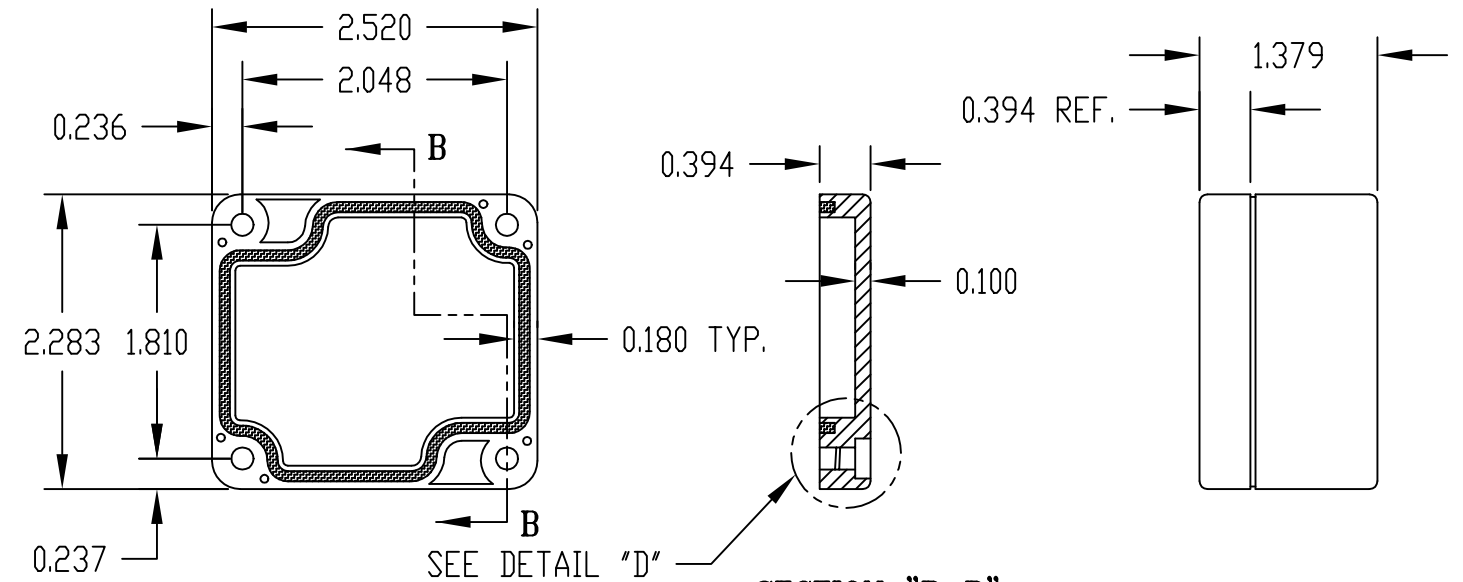
**DETAIL "D"**



**BODY**



**SECTION "A-A"**



**COVER**

**SECTION "B-B"**

NOTE: ALL DIMENSIONS HAVE ±0.015 TOLERANCE UNLESS OTHERWISE SPECIFIED.

PART NUMBER	MATERIAL		FINISH		HARDWARE KIT
	BODY	COVER	BODY	COVER	
PN-1320	POLYCARBONATE		LIGHT GRAY		KIT CONTAINS (4) M4 x 20mm (0.787") LG. SCREWS FOR ASSEMBLY
PN-1320-C	POLYCARBONATE		LIGHT GRAY	CLEAR	
PN-1320-DG	HIGH-IMPACT ABS		DARK GRAY		